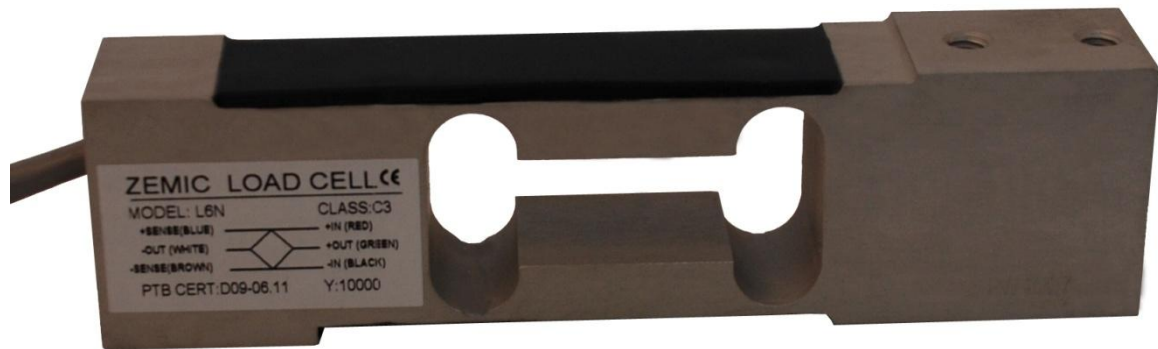


# Type L6N Load Cell



## Short description



- Aluminium-alloy IP65 single point load cell.
- Colourless anodized
- Suitable for single or double load cell structured platform scales
- Maximum platform size: 350 x 400 mm



test certificate no. D09-06.11 Revision 1  
C of C no R60/2000-CNI-06.04



Certificate no. 11-055

## Available models

Capacity	Accuracy	Full article description
3kg	C3	L6N-C3-3kg-3B6
5kg	C3	L6N-C3-5kg-3B6
8kg	C3	L6N-C3-8kg-3B6
10kg	C3	L6N-C3-10kg-3B6
15kg	C3/C4	L6N-C3/C4-15kg-3B6
20kg	C3/C4	L6N-C3/C4-20kg-3B6
30kg	C3/C4	L6N-C3/C4-30kg-3B6
50kg	C3/C4	L6N-C3/C4-50kg-3B6
75kg	C3/C4	L6N-C3/C4-75kg-3B6
100kg	C3	L6N-C3-100kg-3B6

Specifications and dimensions are subject to change without notice and do not constitute any liability whatsoever.

# Type L6N Load Cell

## Detailed specifications L6N

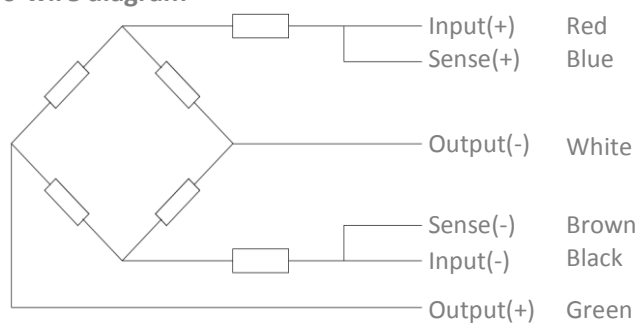
Accuracy class		OIML R60 C3	OIML R60 C4
Output sensitivity ( = FS )	mV/V	2.0 ± 0.2	
Maximum capacity ( E <sub>max</sub> )	kg	3, 5, 8, 10, 15, 20, 30, 50, 75, 100	15, 20, 30, 50, 75
Max.number of load cell intervals	n <sub>LC</sub>	3000	4000
Ratio of min. LC verification interval	Y = E <sub>max</sub> / v <sub>min</sub>	12000	20000
Combined Error	%FS	≤± 0.0230	≤± 0.0175
Minimum dead load	Of E <sub>max</sub>	0%	
Safe overload	of E <sub>max</sub>	150 %	
Ultimate overload	of E <sub>max</sub>	300 %	
Zero balance	of FS	< ± 2.0 %	
Excitation, recommended voltage	V	5 ~ 12	
Excitation maximum	V	18	
Input resistance	Ω	409 ± 6	
Output resistance	Ω	350 ± 3	
Insulation resistance	MΩ	≥5000 ( at 50VDC )	
Compensated temperature	°C	-10 ~ +40	
Operating temperature	°C	-35 ~ +65	
Storage temperature	°C	-40 ~ +70	
Element material		Aluminium	
Ingress Protection (acc. to EN 60529)		IP65	
Recommended torque on fixation	Nm	M6: 10	

## Wiring

### Wiring:

Shielded, 6 conductor cable.  
 Cable Diameter: Ø5mm  
 Standard cable length: 3m  
 Shield not connected to element.  
 Cable jacket is PVC.

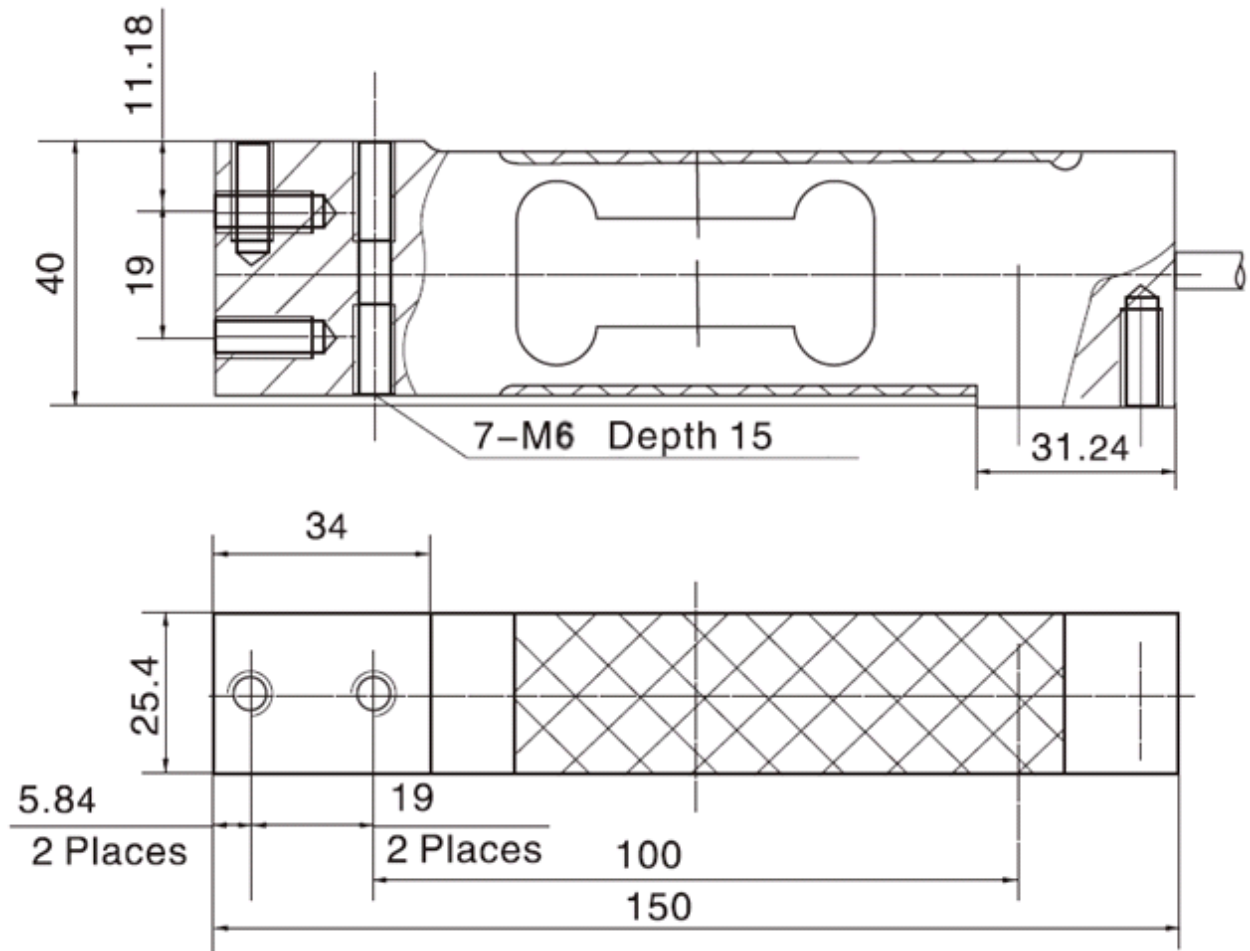
### 6-wire diagram



Specifications and dimensions are subject to change without notice and do not constitute any liability whatsoever.

# Type L6N Load Cell

Dimensions in mm



Specifications and dimensions are subject to change without notice and do not constitute any liability whatsoever.