

Short description



- Adjustable mounting height
- Easy installation
- Stainless steel
- Using under heavy static load or slight dynamic load
- Can be used with Load Cell models: BM8D up to 2t, B8D, HM8C and H8C

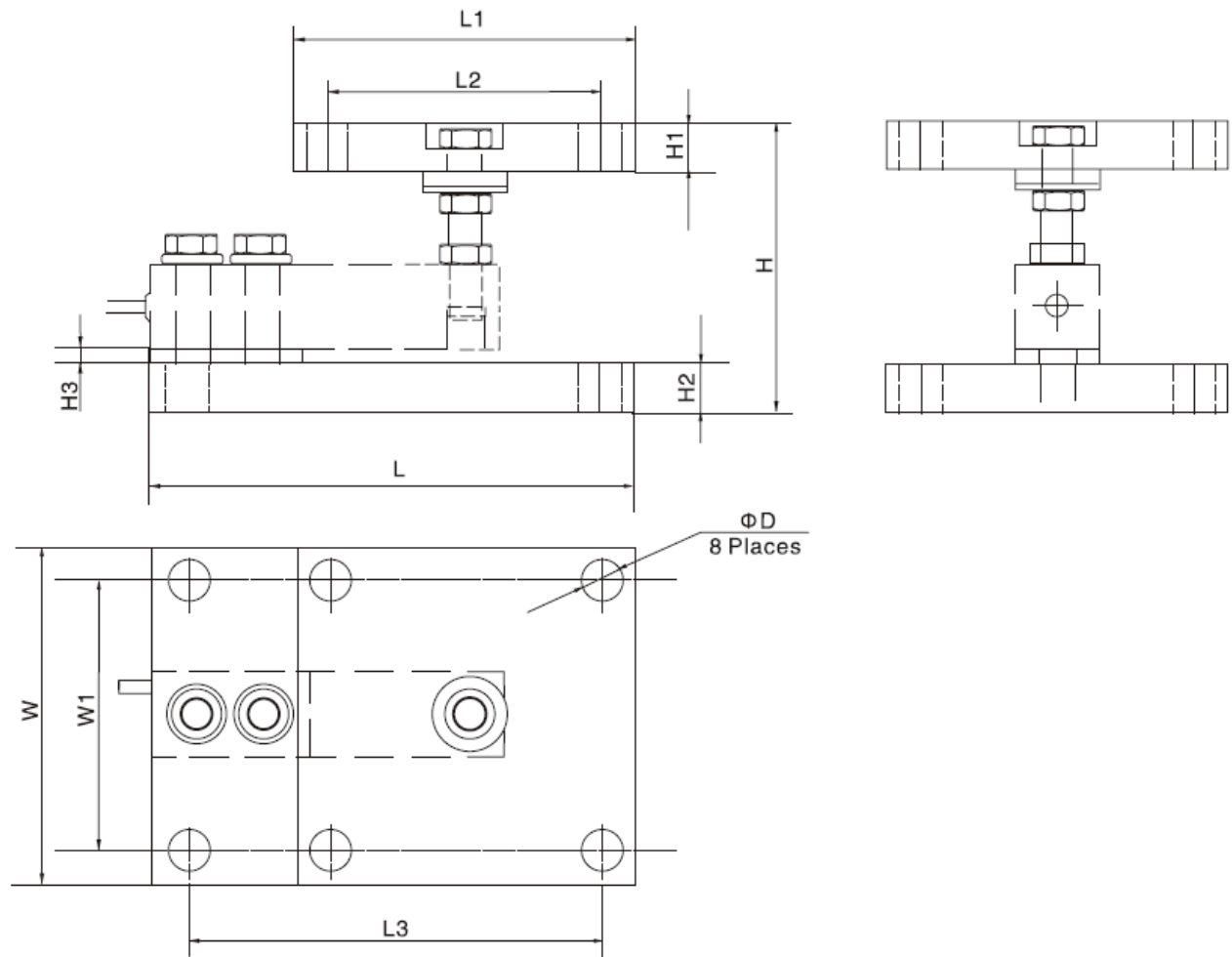
Available models

Model	Capacity	Full article description	Part number
BM-8-404	0.5 – 2t	BM-8-404-0.5t/2t	2084010
	2.5 – 5t	BM-8-404-2.5t/5t	2084020

Specifications and dimensions are subject to change without notice and do not constitute any liability whatsoever.

Type BM-8-404

Dimensions in mm



Dimension Capacity	L	L1	L2	L3	H	H1	H2	H3	W	W1	ØD
0.5t – 2t	180.9	127	101.6	152.4	100-120	18	18	6.1	127	101.6	16
2.5t – 5t	215.9	127	101.6	177.8	130-150	26	26	6.1	127	101.6	16

Specifications and dimensions are subject to change without notice and do not constitute any liability whatsoever.