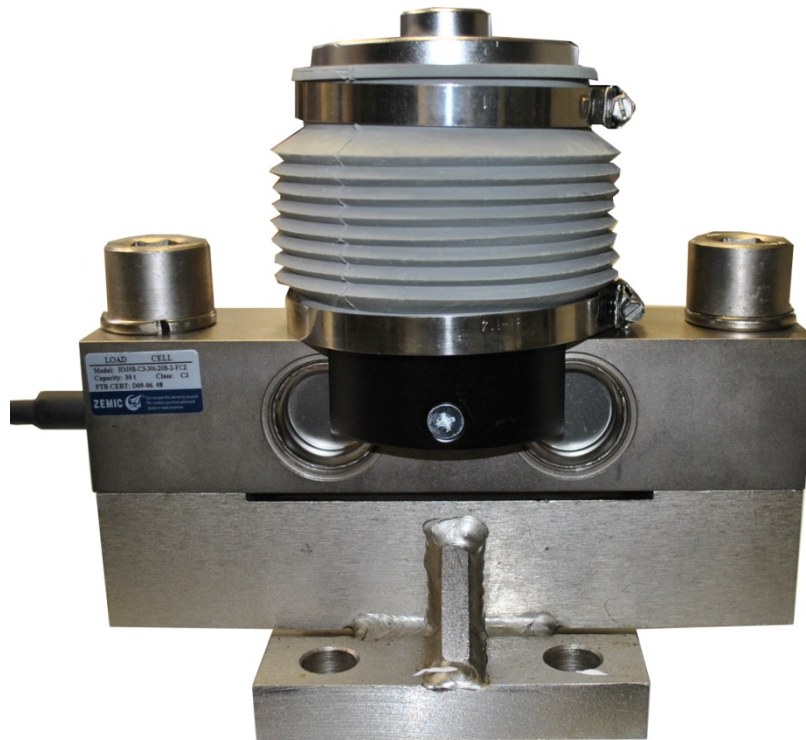


Type HM9B Load Cell



Short description



- Nickel plated alloy steel IP68 dual shear beam load cell
- High accuracy
- Suitable for truck, track, hopper and other electronic weighing devices
- Current calibrated (sc-option)



test certificate no. D09-06.08
C of C no. R60/2000-CN1-06.06

Available models

Capacity	Accuracy	Full article description
10t	C3	HM9B-C3-10t-20B
20t	C3	HM9B-C3-20t-20B
25t	C3	HM9B-C3-25t-20B(-SC)
30t	C3	HM9B-C3-30t-20B(-SC)
40t SE	C3	HM9B-C3-40tSE-20B
40t	C3	HM9B-C3-40t-20B
50t	C3	HM9B-C3-50t-20B

Specifications and dimensions are subject to change without notice and do not constitute any liability whatsoever.

Type HM9B Load Cell

Detailed specifications HM9B

Accuracy class		OIML R60 C3		
Output sensitivity (= FS)	mV/V	2.0 ± 0.002		
Maximum capacity (E _{max})	t	10, 20, 25	30, 40SE, 40, 50	
Max.number of load cell intervals	n _{LC}	3000		
Ratio of min. LC verification interval	$Y = E_{max} / v_{min}$	15000	7500	
Combined Error	%FS	≤± 0.0230		
Minimum dead load	Of E _{max}	0%		
Safe overload	of E _{max}	150 %		
Ultimate overload	of E _{max}	300 %		
Zero balance	of FS	< ± 1.5 %		
Excitation, recommended voltage	V	5 ~ 12		
Excitation maximum	V	18		
Input resistance	Ω	700 ± 7		
Output resistance	Ω	700 ± 7		
Insulation resistance	MΩ	≥5000 (at 50VDC)		
Compensated temperature	°C	-10 ~+40		
Operating temperature	°C	-35 ~ +65		
Storage temperature	°C	-40 ~ +90		
Element material		Nickel plated alloy steel		
Ingress Protection (acc. to EN 60529)		IP68		
ATEX classification (optional)		II1G Ex ia II1C T4	II1D Ex iaD 20 T73°C	II3G nL IIC T4

Wiring

Wiring:

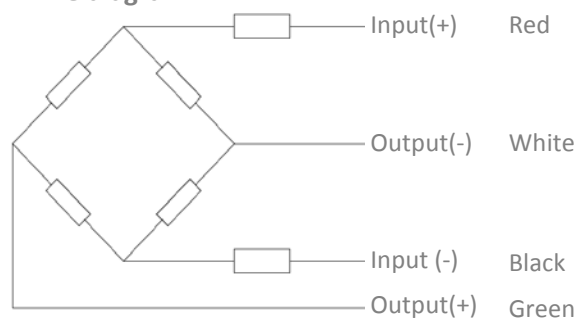
Shielded, 4 conductor cable.

Cable diameter: Ø5.5mm.

Standard cable length: 20m, also available in 12m.

Shield not connected to element.

4-wire diagram

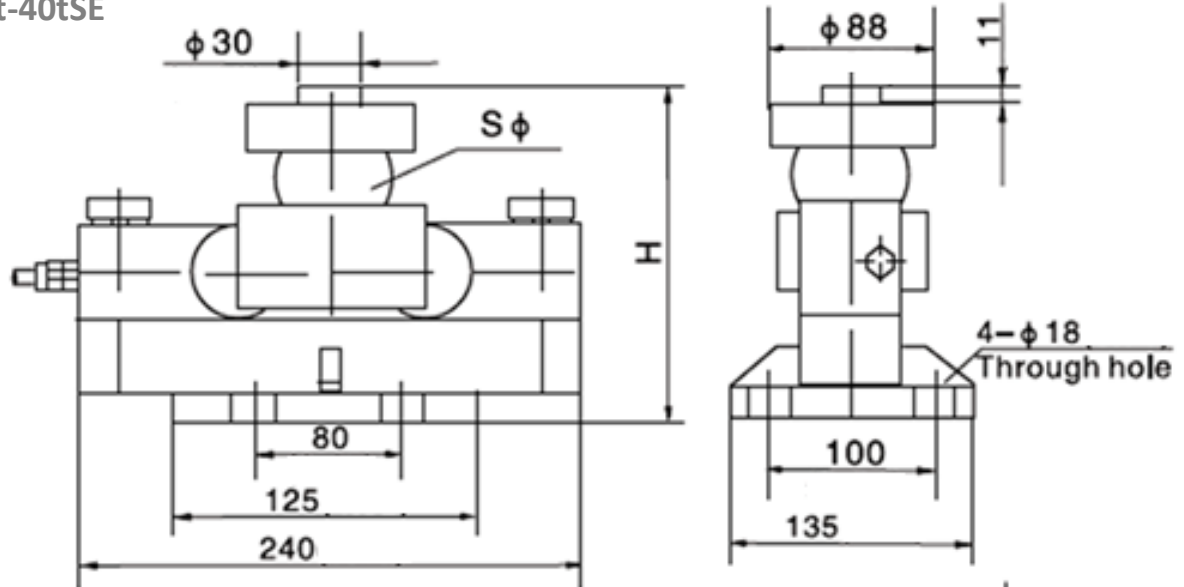


Specifications and dimensions are subject to change without notice and do not constitute any liability whatsoever.

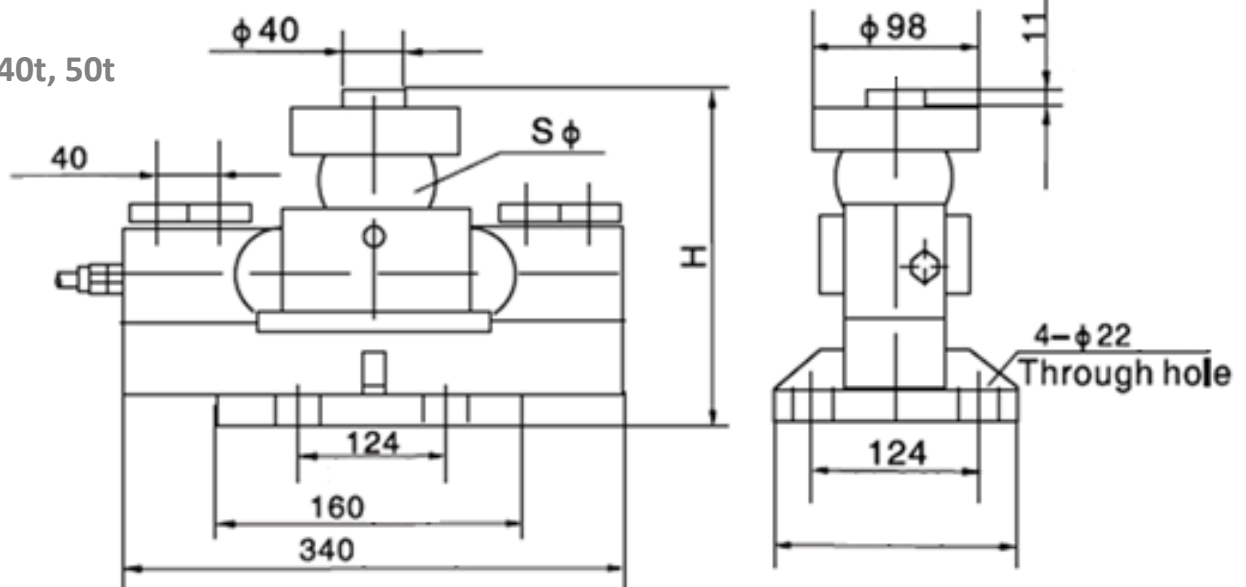
Type HM9B Load Cell

Dimensions in mm

10t-40tSE



40t, 50t



Dimension Capacity	H	ϕS
10t	195	50
20t-40tSE	225	76
40t, 50t	267	82

Specifications and dimensions are subject to change without notice and do not constitute any liability whatsoever.